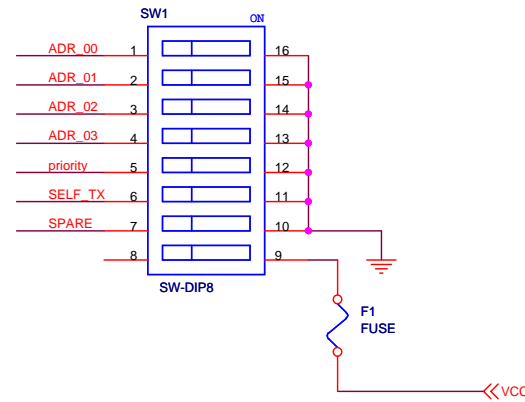


NUUO Confidential

Title		
<Title>		
Size	Document Number	Rev
Custom	<Doc>	<RevCod
Date:	Thursday, December 27, 2007	Sheet 2 of 4

FUNCTION SETUP

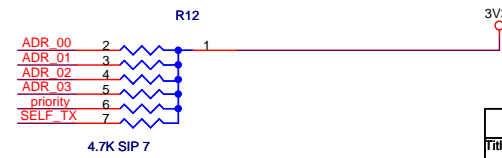
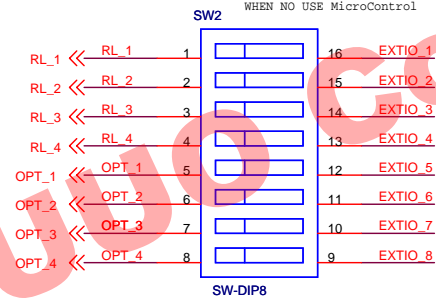


SOCKET 5x2 / 90ANGLEL



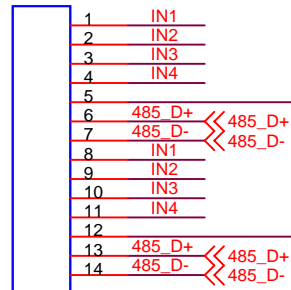
I/O PASS

WHEN NO USE MicroControl



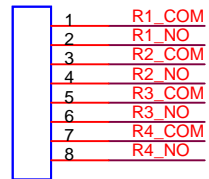
Title			<Title>
Size	Document Number	Rev	<RevCode>
B	<Doc>		
Date:	Thursday, December 27, 2007	Sheet	3 of 4

TERMINAL BLOCK 5
J4

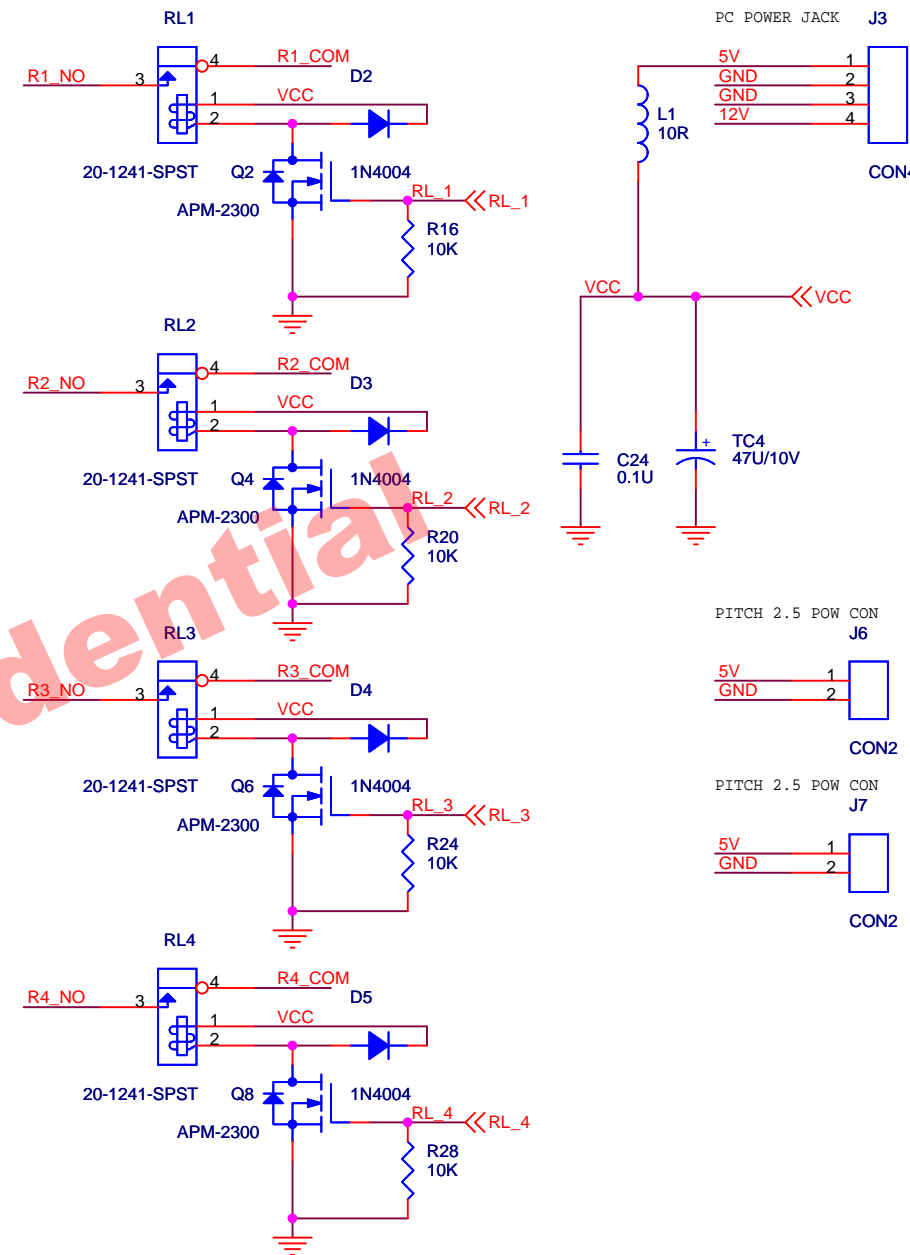
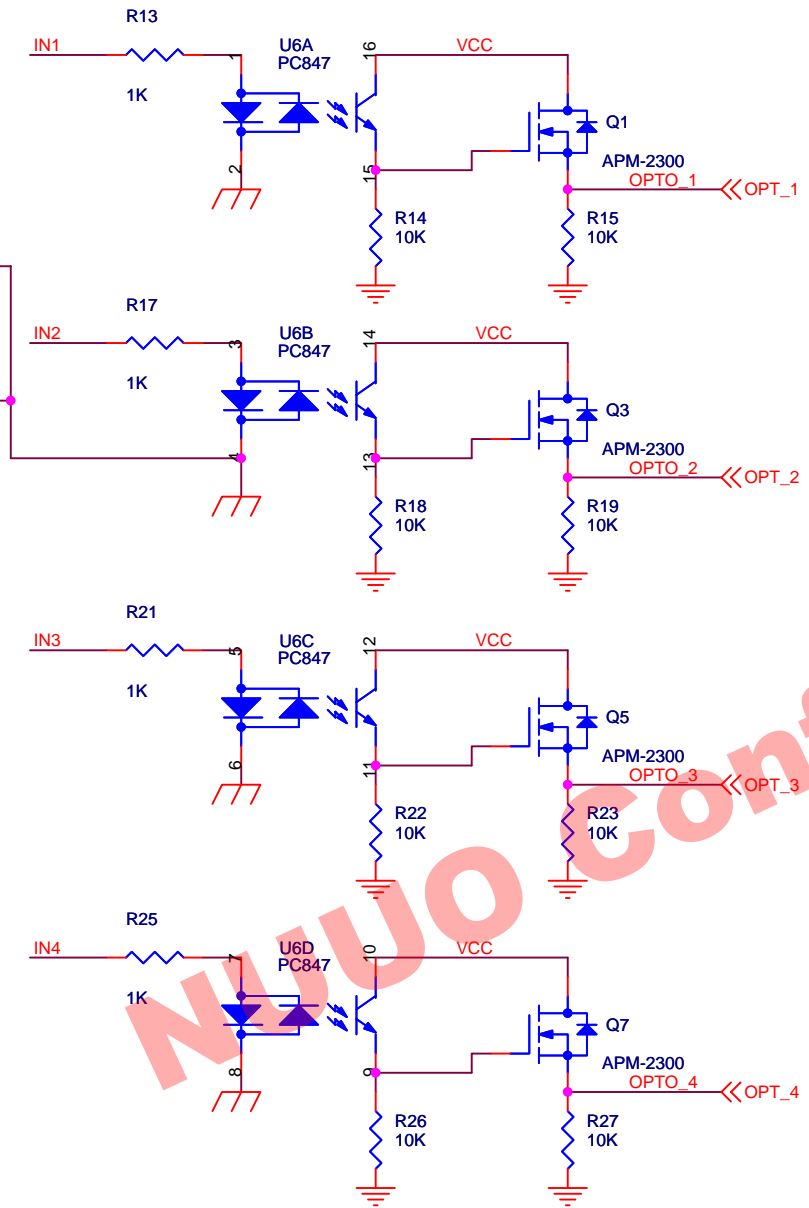


CON14

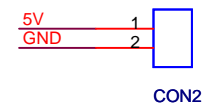
TERMINAL BLOCK 8
J5



CON8

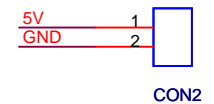


PITCH 2.5 POW CON
J6



CON2

PITCH 2.5 POW CON
J7



CON2

Title		
<Title>		
Size	Document Number	Rev
A4	<Doc>	<RevC>
Date:	Thursday, December 27, 2007	Sheet 4 of 4