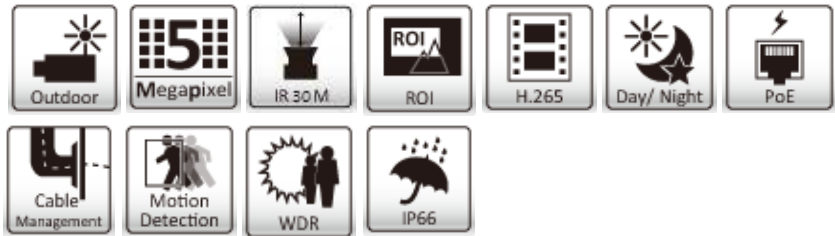


CHAMP BL5105

5MP IR Mini Bullet IP Camera



- 15fps @ 2560 x 1920
- H.265, 50% lower bitrate
- IR 30m
- Corridor mode
- ROI
- IP66 with optional outdoor kit



The CHAMP BL5105 is an outdoor ready IR Mini Bullet Camera, featuring 5MP resolution with video image of 2560 x1920 at 15 fps.

As a true day and night camera, the CHAMP BL5105 has a automatic removable IR-cut filter and 30m IR illuminators. Besides, BL5105 has Corridor Format and ROI technology that allow camera to maximize video surveillance in narrow vertical situations and to decrease non-ROI's image quality to save on maximum bandwidth and storage.

Coupled with its small size, IP66 optional outdoor ready kit, BL5105 is designed to be mounted on walls or ceilings, indoor or outdoor.



Features

- 1/3.2" 5-Megapixel CMOS sensor
- H.265, H.264, and Motion JPEG compression
- 15fps @ 2560 x 1920
- 2.8mm, F2.0 megapixel fixed lens
- True day & night with automatic removable
- IR-cut filter
- IR 30m
- Corridor mode
- ROI(region of interested)
- RTC with built-in battery
- Screw-less 3-axis angle adjustment for easy
- installation on wall or ceiling
- IP66 weatherproof with optional outdoor kit
- SSL v3 advanced HTTPS encryption
- Full support for Firefox, Safari and Mac OS
- Supports Samba network storage
- Multi-lingual user interface
- ONVIF 2.4 and Profile S compliant
- Free 32-channel NVR software
- Supports True Plug and Play Cloud Solution

WDR



WDR off



WDR on

Applications



1. Office
2. Public Area

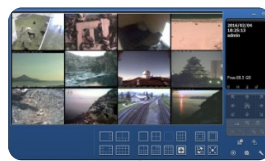
IP Surveillance Solutions

• Free 32ch NVR Software

The most professional NVR software you can get for free!

- Support up to 32 channels
- Up to 32 channels remote live view
- Remote playback 4 channels
- Multi-site / multi-server
- Transcoding (record high quality, transcode to different resolution/ frame rate for remote client to save bandwidth)
- iOS/ Android mobile client (multi-channel live view | playback | PTZ & I/O control)
- E-maps (up to 4 layers | unlimited number of maps | video preview)
- Dual monitor
- ePTZ
- Multi-lingual user interface

*32ch free license for CHAMP cameras, but need to activate license for other brand



• ONVIF

All IP cameras are ONVIF 2.x & Profile S compliant, and continuously upgraded to comply with the latest versions



Technical Specifications

Camera

Model	BL5105 5MP IR Mini Bullet IP Camera
Image sensor	1/3.2" 5 MP CMOS sensor
Lens	F2.0, 2.8mm
Angle of view	85° horizontal
Min illumination	0.05 lux @ F2.0 (color) 0.001 lux @ F2.0 (B/W)
Day/Night function	Mechanical IR cut filter

Video

Video compression	Motion JPEG H.264 baseline/ main profile/ high profile H.265
Resolutions	Motion JPEG/ H.264/ H.265: 6 resolutions including from 2560 x 1920 to 640 x 360
Frame rate	H.264/ H.265: 15 fps at 2560 x 1920, 30fps at 2048 x 1536 MJPEG: 10fps at 2560 x 1536, 15fps at 2048 x 1536 30fps at 1920 x 1080
Video streaming	Simultaneous Motion JPEG, H.264, H.265 Controllable frame rate and bandwidth Support unicast (Real Time Streaming Protocol)
Image settings	Rotation: mirror, flip, mirror flip WDR Brightness, contrast, saturation, sharpness Overlay capabilities: time, date, text and privacy Image ROI

Network

Security	Multiple user access levels with password protection, HTTPS encryption Bonjour, TCP/ IP, DHCP, DNS, DynDNS, PPPoE, ARP, ICMP, FTP, SMTP, NTP, UPnP, RTSP, RTP, RTCP, HTTP, HTTPS, SSL, TCP, UDP
Users	10 simultaneous users

Alarm and Event Support

Alarm and event management	Input: network link down, motion detection, periodical Output: network storage, FTP, SMTP, HTTP event, HTTPS ser Pre- and post alarm buffer
-----------------------------------	---

System

	RJ-45 Ethernet 10/ 100 Base-T(with PoE) Reset button DC 12V power supply ONVIF 2.4 & Profile S
--	---

General

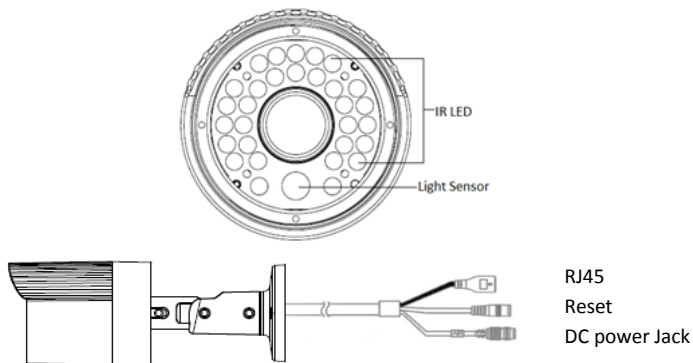
Casing	Metal housing
Housing	IP66 rated weatherproof housing
Power	12V DC, 1A Power consumption: Max. 6.1W PoE(Power over Ethernet) built-in IEEE 802.3af

Operating conditions	Starting temperature: -10 ~ 60 °C (14 ~ 140 °F) Working temperature: -30~ 60 °C (-22 ~ 140 °F)
Installation, management and maintenance	Camera management tool website web-based configuration. Configuration of backup and restore firmware upgrades over HTTP
Minimum web browsing requirement	Intel Core i5 CPU @ 2.0GHz (or equivalent AMD) 512MB RAM graphic cards (or equivalent on-board graphic cards) 2GB RAM Windows 7 or later Mac OS Leopard 10.5 or later
Dimensions (HxWxD)	φ66 x 166 mm, incl. bracket
Weight	420g excl. power supply
Included accessories	Quick installation guide, mounting and connector kits, (Camera Installation Tool, Video Management Software, User Manuals, Camera LanguagePacks) available on website
Certification	CE, FCC, RoHS

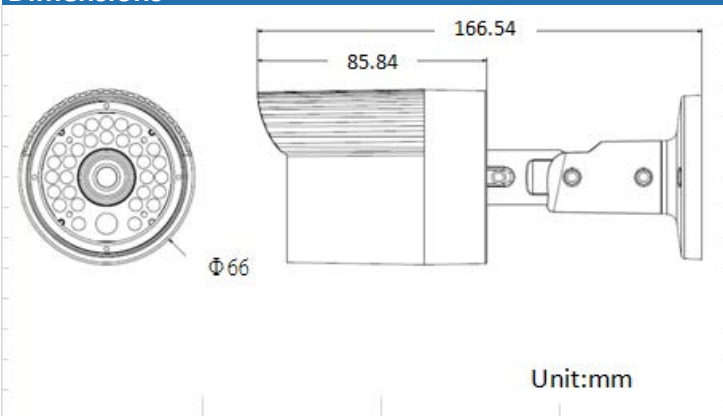
Integration

software	For viewing, recording and archiving up to 32 ch cameras
-----------------	--

Part Names and Functions



Dimensions



B1, No.207-1, Sec. 3, Beixin Rd., Xindian Dist., New Taipei City 231, Taiwan | www.champsolution.com

Tel : +886-2-7739-2260 | Fax : +886-2-7703-3377 | Mail : inquiry@champsolution.com

© 2015 All rights reserved. THIS DOCUMENT IS PROVIDED FOR INFORMATIONAL PURPOSES ONLY AND IS NOT INTENDED AS ADVERTISING. ALL WARRANTIES RELATING TO THE INFORMATION IN THIS DOCUMENT, EITHER EXPRESS OR IMPLIED, ARE DISCLAIMED TO THE MAXIMUM EXTENT ALLOWED BY LAW. THE INFORMATION IN THIS DOCUMENT IS SUBJECT TO CHANGE WITHOUT NOTICE. ALL MENTIONED BRAND NAMES ARE REGISTERED TRADEMARKS AND PROPERTY OF THEIR OWNERS.