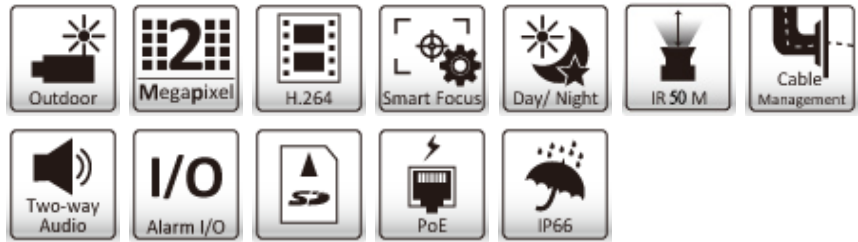


CHAMP BL5302 2MP Outdoor Motorized Bullet Camera



- Full HD 1080p
- Motorized lens + P-iris
- Adaptive IR 50m
- -50°C Low Temperature



The all new BL5302 2MP Outdoor Motorized Bullet Camera featuring an innovative design can blend well with the extreme environment. This 2 megapixel camera equipped the latest generation sensor, can be expected to deliver higher video quality.

Built in fan and heater protects camera from -50°C to 60°C extreme temperature, the IP66 rated certified construction makes the camera to withstand harsh outdoor conditions and severe weather. The bullet also outfitted with super wide angle and smart IR, gives a viewing range of 50m to achieve excellent day & night functionality.

The BL5302 is used in applications ranging from banking and transportation to high latitude and public area.



Related models

Model Name	BL5302	BL3102
Feature	Outdoor IP67	Outdoor IP66
	Full HD 1080p	Full HD 1080p
	Motorized	Fixed
	ICR + IR 40m	ICR + IR 15m
	Built-in fan & heater	-
	PoE	PoE

<http://www.champsolution.com>

Features

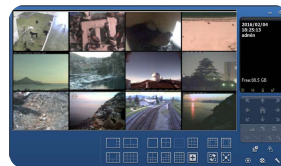
- 2 megapixel progressive scan CMOS sensor
- H.264 and Motion JPEG compression
- 30 fps @ 1080p
- Day & night functionality with automatic removable IR-cut filter
- 6 high performance IR LEDs and up to 40m distance
- 2.8 - 12 mm, F1.6, motorized, P-iris lens
- Smart focus system for remote focal & focus control
- Analog video output through RCA connector
- Built-in SD card slot
- Built-in fan & heater, enabling camera in severe environment (-50 - 60°C)
- Power over Ethernet (IEEE 802.3af/at)
- RTC with built-in battery
- Tampering detection
- 2 x alarm input, 2 x alarm output
- Two-way audio, line in and line out
- IP67 rated weatherproof housing
- SSL v3 advanced HTTPS encryption
- Supports Samba network storage
- Multi-lingual user interface
- ONVIF 2.4 and Profile S compliant
- Free 32-channel NVR software

IP Surveillance Solutions

• Free 32ch NVR Software

The most professional NVR software you can get for free!

- Support up to 32 channels
- Remote playback 4 channels
- Multi-site / multi-server
- Transcoding (record high quality, transcode to different resolution/ frame rate for
- remote client to save bandwidth)
- iOS/ Android mobile client (multi-channel live view | playback | PTZ & I/O control)
- E-maps (up to 4 layers | unlimited number of maps | video preview)
- Dual monitor
- ePTZ
- Multi-lingual user interface



Application



All IP cameras are ONVIF 2.x & Profile S compliant, and continuously upgraded to comply with the latest versions



1. Banking
2. Transportation
3. Public Area

Technical Specifications

Camera	
Models	BL5302 2MP Outdoor Motorized Bullet Camera
Image sensor	1/2.8" CMOS sensor
Lens	F1.6, 2.8 - 12mm, motorized, P-iris lens
Angle of view	35° - 96° horizontal
Min illumination	0.01 lux @ F1.6 (color) 0.001 lux (B/W) 0 lux (IR LED on)
IR working distance	50m effective range Adaptive IR, adjustable brightness via FW
IR LEDs	6 pcs (850nm)
Day/Night function	Mechanical IR cut filter Light sensor

Video	
Video compression	Motion JPEG H.264 baseline/ main profile/ high profile
Resolutions	Motion JPEG: 2 resolutions from 1920 x 1080 to 320 x 240 via API 2 resolutions from 640 x 480 to 320 x 240 via API H.264 2 resolutions from 1920 x 1080 to 320 x 240 via API 2 resolutions from 640 x 480 to 320 x 240 via API
Frame rate	Motion JPEG: up to 30 fps at 1920 x 1080 H.264: up to 30 fps at 1920 x 1080
Video streaming	Simultaneous Motion JPEG, H.264 Controllable frame rate and bandwidth Support unicast and multicast (Real Time Streaming Protocol)
Image settings	Rotation: mirror, flip, mirror flip WDR enhanced Brightness, contrast, saturation, sharpness Overlay capabilities: time, date, text and privacy image

Audio	
Audio streaming	Two-way (full duplex) Line in/ line out
Audio compression	G.711 μ law, a law, AMR

Network	
Security	Multiple user access levels with password protection, HTTPS encryption Bonjour, TCP/ IP, DHCP, DNS, DynDNS, PPPoE, ARP, ICMP, FTP, SMTP, NTP, UPnP, RTSP, RTP, RTCP, HTTP, HTTPS, SSL, TCP, UDP
Users	5 simultaneous users Unlimited number of users using multicast

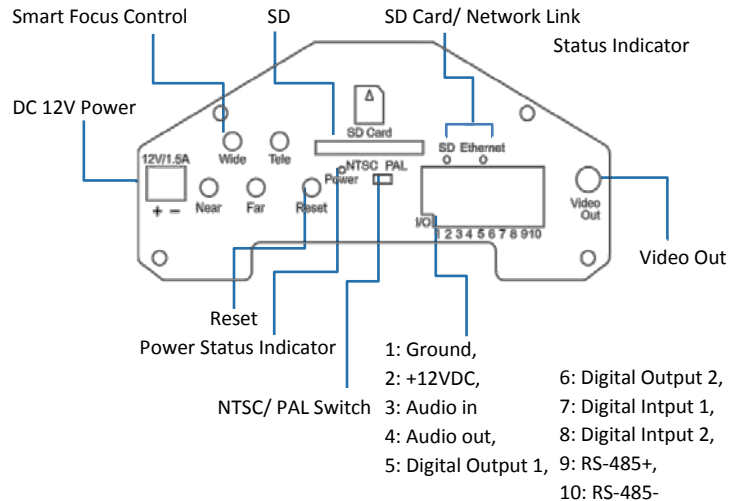
Alarm and Event Support	
IVS management	Input: alarm buffer, alarm input, motion detection tampering detection Output: network storage, FTP, SMTP, HTTP event, alarm output Pre-and post alarm buffer

System	
	RJ-45 for Ethernet 10/100 Base-T (with PoE) 2 pin terminal blocks for DC power Smart Focus control buttons Terminal blocks for alarm input/ alarm output, Line in/ line out Reset push switch NTSC/ PAL switch RCA connector for analog video output

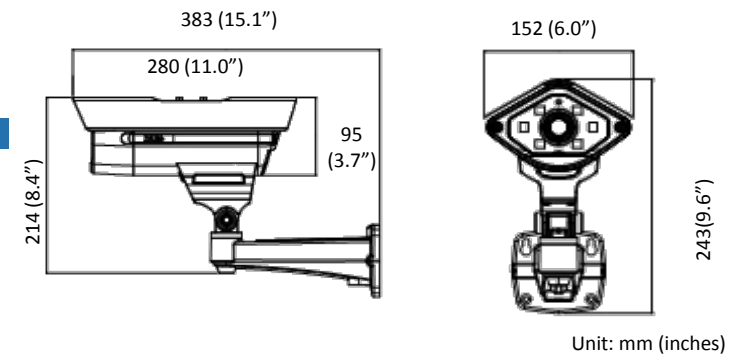
Local storage	SD card slot
Software integration	ONVIF 2.4 and Profile S compliant Power status indicator Network link indicator SD card status indicator

General	
Casing	Aluminum casing
Housing	IP67 rated weatherproof housing
Power	12V DC, 1.5A Power consumption: Max. 18W PoE (Power over Ethernet) built-in IEEE 802.3af/ at
Operating conditions	-50 ~ 60 °C (-58 ~ 140 °F)
Minimum web browsing requirement	Pentium 4 2.8GHz (or equivalent AMD) 256MB RAM graphic cards (or equivalent on-board graphic cards) 1G RAM Windows 2008, XP, Vista or Windows 7 Mac OS Leopard 10.5 or later
Dimensions (HxWxD)	383 x 152 x 243mm (incl. bracket) (15.1" x 6.0" x 9.6")
Weight	2170g (4.78lb) excl. power supply
Included accessories	Quick installation guide, mounting and connector kits Download on website (Camera Installation Tool, Video Management Tool, User Manuals, Camera LanguagePacks)
Certification	CE, FCC, RoHS

Part Names and Functions



Dimensions



B1, No.207-1, Sec. 3, Beixin Rd., Xindian Dist., New Taipei City 231, Taiwan | www.champsolution.com
Tel : +886-2-7739-2260 | Fax : +886-2-7703-3377 | Mail : inquiry@champsolution.com