

CHAMP BL7302 2MP Motorized P-iris Outdoor



- H.265, 50% lower bitrate
- 1080p60 + WDR Extreme
- Motorized lens + P-iris
- Adaptive IR 50m
- -50°C Low Temperature



The all new CHAMP BL7302 bullet camera has it all. Latest H.265 compression to cut bandwidth and storage requirements in half. Class-leading WDR to handle the most challenging lighting conditions. Superior low-light sensitivity that still sees when you don't. Adaptive IR Pro that not only automatically adjusts the power of the IR illuminators, but also it's angle, to fit the view angle of the motorized lens, which can be easily focused by the Smart Focus function, remotely of course. Built-in fan and heater allow the camera to operate in the most extreme environments (-50°C to 60°C).

The BL7302 can be used in all kinds of applications, ranging from traffic, airports to public area surveillance and extreme applications. Compatible with CHAMP NVR Software, the most professional NVR software for free bundled can support up to 32 IP cameras and plug-and-play cloud solution, you can easily setup a surveillance system from mobile devices, PC or laptop without any extra cost.



Related models

Model Name	BL7302	BL5302
Feature	Full HD 1080p	Full HD 1080p
	H.265	H.264
	WDR extreme	-
	Motorized + P-iris	Motorized + P-iris
	Adaptive IR 50m	Adaptive IR 40m
	-50 ~ 60°C	-50 ~ 60°C

Features

- 60 fps @ 1080p
- H.265 saving 50% bandwidth
- Motorized 2.8-12 mm, F1.6, P-iris, Smart focus
- Adaptive IR 50m
- WDR extreme
- Starlight
- Smart feature: Adaptive IR, Corridor Mode, ROI
- Defog
- RS-485 supports pan/ tilt motors
- Two-way audio, line in and line out
- 2 x alarm input, 2 x alarm output
- Edge storage
- -50°C low temperature
- IP67 weatherproof
- Screwless 3-axis angle adjustment for easy installation on wall or ceiling
- SSL v3 advanced HTTPS encryption
- Supports Samba network storage
- Multi-lingual user interface
- ONVIF 2.4 and Profile S compliant
- Free 32-channel CHAMP NVR software

WDR Extreme



WDR off



WDR on

Applications



1. City Surveillance
2. Industrial

IP Surveillance Solutions

• Free 32ch NVR Software

The most professional NVR software you can get for free!

- Support up to 32 channels
- Up to 32 channels remote live view
- Remote playback 4 channels
- Multi-site / multi-server
- Transcoding (record high quality, transcode to different resolution/ frame rate for remote client to save bandwidth)
- iOS/ Android mobile client (multi-channel live view | playback | PTZ & I/O control)
- E-maps (up to 4 layers | unlimited number of maps | video preview)
- Dual monitor
- ePTZ
- Multi-lingual user interface

*32ch free license for CHAMP cameras, but need to activate license for other brand



• ONVIF

All IP cameras are ONVIF 2.x & Profile S compliant, and continuously upgraded to comply with the latest versions



Technical Specifications

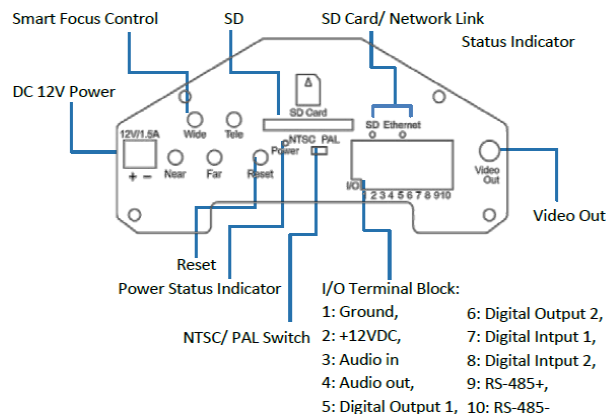
Camera	
Model	BL7302 2MP Motorized P-iris Outdoor Bullet
Image sensor	1/2.8" megapixel CMOS sensor
Lens	F1.6, 2.8 - 12 mm motorized, P-iris lens
Angle of view	33° - 104° horizontal
Min illumination	0.001 lux @ F1.6 (color) 0.0001 lux (B/W) 0 lux (IR LED on)
IR working distance	50m effective range Adaptive IR, adjustable brightness via FW
IR LEDs	6pcs (850nm)
Day/Night function	Mechanical IR cut filter
Dynamic range	120dB
Video	
Video compression	Motion JPEG H.264 baseline/ main profile/ high profile H.265
Resolutions	Motion JPEG/ H.264/ H.265: 2 profiles from 1920 x 1080 to 320 x 240 2 profiles from 640 x 480 to 320 x 240 Motion JPEG: up to 30 fps at 1920 x 1080
Frame rate	H.264/ H.265: up to 60 fps at 1920 x 1080
Video streaming	Simultaneous Motion JPEG, H.264, H.265 Controllable frame rate and bandwidth Support unicast (Real Time Streaming Protocol)
Image settings	Rotation: mirror, flip, mirror flip Brightness, contrast, saturation, sharpness Overlay capabilities: time, date, text and privacy mask ROI, corridor mode WDR Glass demiser Defog
Audio	
Audio streaming	Two-way (full duplex) Line in/ line out
Audio compression	G.711 μ law, a law/ G.726/ AMR
Network	
Security	Multiple user access levels with password protection, HTTPS encryption
Supported protocols	Bonjour, TCP/ IP, DHCP, DNS, DynDNS, PPPoE, ARP, ICMP, FTP, SMTP, NTP, UPnP, RTSP, RTP, RTCP, HTTP, HTTPS, SSL, TCP, UDP
Users	10 simultaneous users
Alarm and Event Support	
Alarm and event management	Input: alarm input, motion detection,periodical, network link down Output: network storage, FTP, SMTP, HTTP event, alarm Pre- and post alarm buffer
System	
Connectors	RJ-45 for Ethernet 10/100/1000 Base-T (with PoE) 2 pin terminal blocks for DC power Smart Focus control buttons Terminal blocks for alarm input/ alarm output Line in/ line out Reset push button NTSC/ PAL switch RCA connector for analog video output

Local storage	SD/ SDHC/ SDXC card slot
LED Indicator	Power status indicator Network link indicator SD card status indicator
Software integration	ONVIF 2.4 & Profile S
General	
Casing	Aluminum casing
Housing	IP67 rated weatherproof housing
Power	12V DC, 2A Power consumption: Max 14.7W PoE (Power over Ethernet) built-in IEEE 802.3af/ at(Class 0)
Operating conditions	-50 ~ 60 °C (-58 ~ 140 °F)
Installation, management, and maintenance	camera management tool web-based configuration. Configuration of backup and restore firmware upgrades over HTTP, firmware available at www.champsolution.com
Minimum web browsing requirement	Intel Core i5 CPU @ 2.0GHz (or equivalent AMD) 512MB RAM graphic cards (or equivalent on-board graphic cards) 2GB RAM Windows 7 or later Mac OS Leopard 10.5 or later
Dimensions (HxWxD)	383 x 152 x 243mm (incl. bracket) (15.1" x 6.0" x 9.6")
Weight	2170g (4.78lb) excl. power supply
Included accessories	Quick installation guide, Download on web (Camera Video Management Tool, User Manuals, Camera Language Packs) mounting and connector kits
Certification	CE, FCC, RoHS

Integration

Video management software CHAMP software, for viewing, recording and archiving up to 32 cameras

Part Names and Functions



Dimensions

