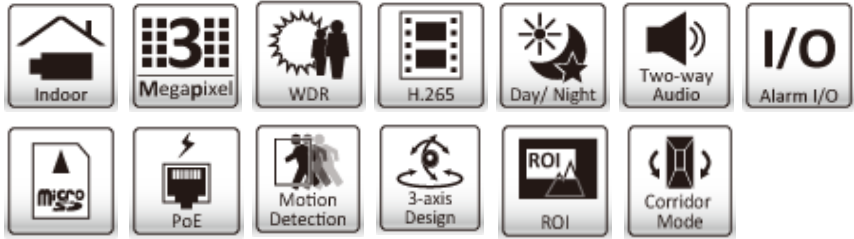


CHAMP DM5113 3MP IR Mini Dome IP Camera



- 30fps @ 2304 x 1296
- H.265, 50% lower bitrate
- Smart IR 15m
- Corridor mode
- ROI
- IK08 vandal-proof
- IP66 with optional outdoor kit



The CHAMP DM5113 is an outdoor ready IR Mini Dome Camera, featuring 3MP resolution with video image of 2304x1296 at 30 fps. Latest H.265 compression to cut bandwidth and storage requirements in half.

As a true day and night camera, the CHAMP DM5113 has a automatic removable IR-cut filter and 15m Smart IR illuminators, can solve the problem of infrared LEDs whiting out images. Besides, DM5113 has Corridor Format and ROI technology that allow camera to maximize video surveillance in narrow vertical situations and to decrease non-ROI's image quality to save on maximum bandwidth and storage.

Coupled with its small size, 3-axis mounting mechanism, IK08 vandal-proof and IP66 optional outdoor ready kit, DM5113 is designed to be mounted on walls or ceilings, indoor or outdoor.

Compatible with CHAMP NVR, the most professional NVR software for free bundled can support up to 32 IP cameras and plug-and-play cloud solution, you can easily setup a surveillance system from mobile devices, PC or laptop without any extra cost.



Features

- 1/3" 4-Megapixel CMOS sensor
- H.265, H.264, and Motion JPEG compression
- 30fps @ 2304 x 1296
- 2.8mm, F2.0 megapixel fixed lens
- True day & night with automatic removable
- IR-cut filter
- Smart IR 15m
- Corridor mode
- ROI(region of interested)
- Two-way audio and built-in microphone
- 1 x alarm input, 1 x alarm output
- RTC with built-in battery
- Screwless 3-axis angle adjustment for easy installation on wall or ceiling
- IK08 vandal-proof
- IP66 weatherproof with optional outdoor kit
- SSL v3 advanced HTTPS encryption
- Full support for Firefox, Safari and Mac OS
- Supports Samba network storage
- Multi-lingual user interface
- ONVIF 2.4 and Profile S compliant
- Free 32 channels CHAMP NVR Software software
- Supports True Plug and Play Cloud Solution

WDR



WDR off



WDR on

Applications



1. Office
2. Public Area

IP Surveillance Solutions

• Free 32ch NVR Software

The most professional NVR software you can get for free!

- Support up to 32 channels
- Up to 32 channels remote live view
- Remote playback 4 channels
- Multi-site / multi-server
- Transcoding (record high quality, transcode to different resolution/ frame rate for remote client to save bandwidth)
- iOS/ Android mobile client (multi-channel live view | playback | PTZ & I/O control)
- E-maps (up to 4 layers | unlimited number of maps | video preview)
- Dual monitor
- ePTZ
- Multi-lingual user interface

*32ch free license for CHAMP cameras, but need to activate license for other brand



• ONVIF

All IP cameras are ONVIF 2.x & Profile S compliant, and continuously upgraded to comply with the latest versions



Technical Specifications

Camera	
Model	DM5113 3MP IR Mini Dome IP Camera
Image sensor	1/3" 4 MP CMOS sensor
Lens	F2.0, 2.8mm
Angle of view	87° horizontal
Min illumination	0.05 lux @ F2.0 (color) 0.001 lux @ F2.0 (B/W)
Day/Night function	Mechanical IR cut filter

Video	
Video compression	Motion JPEG H.264 baseline/ main profile/ high profile H.265
Resolutions	Motion JPEG/ H.264/ H.265: 6 resolutions including from 2304 x 1296 to 320 x 240
Frame rate	H.264/ H.265: up to 30 fps at 2304 x 1296 MJPEG: up to 15 fps at 2304 x 1296
Video streaming	Simultaneous Motion JPEG, H.264, H.265 Controllable frame rate and bandwidth Support unicast (Real Time Streaming Protocol)
Image settings	Rotation: mirror, flip, mirror flip WDR Brightness, contrast, saturation, sharpness Overlay capabilities: time, date, text and privacy Image ROI Smart IR

Audio	
Audio streaming	Two-way (full duplex)
Audio compression	G.711 μ law, a law, AMR, G.726
Audio input/output	Built-in microphone, line input and line output

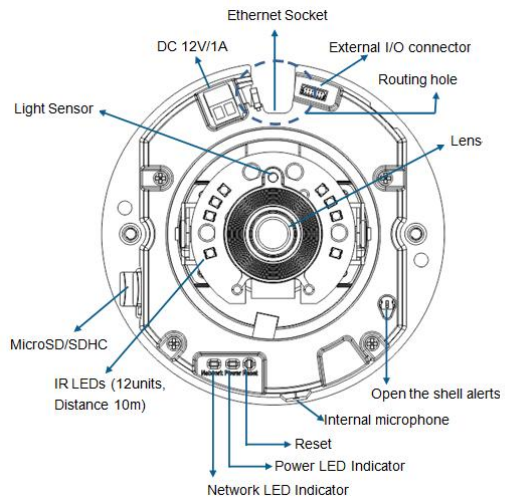
Network	
Security	Multiple user access levels with password protection, HTTPS encryption
Supported protocols	Bonjour, TCP/ IP, DHCP, DNS, DynDNS, PPPoE, ARP, ICMP, FTP, SMTP, NTP, UPnP, RTSP, RTP, RTCP, HTTP, HTTPS, SSL, TCP, UDP
Users	10 simultaneous users

Alarm and Event Support	
Alarm and event management	Input: network link down, alarm input, motion detection, periodical, audio detection Output: network storage, FTP, SMTP, HTTP event, alarm out HTTPS server Pre- and post event image

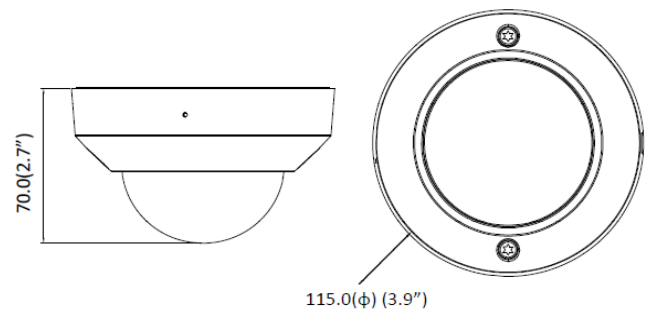
System	
Connectors	RJ-45 Ethernet 10/ 100 Base-T (PoE) Reset button 2pin terminal block for DC power 6pin cable for 1 alarm input, 1 output, 1 audio line in 1 audio line out
Local storage	MicroSD card slot
LED Indicator	Power status indicator Network link indicator
Software integration	ONVIF 2.4 & Profile S
Video management software	Camera Installation Tool & Video Management Software- ZAVIO CamGraba2.0 for viewing recording and archiving up to 64 cameras

General	
Casing	Aluminum casing
Power	DC 12V or PoE IEEE 802.3af class 1 Power consumption: Max 6.1W
Operating conditions	Starting temperature: -10 ~ 50 °C (14 ~ 122 °F) Working temperature: -30~ 50 °C (-22 ~ 122 °F)
Installation, management, and maintenance	ZAVIO camera management tool on website and web-configuration. Configuration of backup and restore firmware upgrades over HTTP, firmware available at www.zavio.com
Minimum web browsing requirement	Intel Core i5 CPU @ 2.0GHz (or equivalent AMD) 512MB RAM graphic cards (or equivalent on-board graphic cards) 2GB RAM Windows 7 or later Mac OS Leopard 10.5 or later
Dimensions (HxWxD)	ϕ 115 x 70mm (3.9" x 2.7") ϕ 115 x 103.7mm (3.9" x4.14.7") junction box is included
Weight	300g (0.66lb) excl. power supply
Included accessories	Quick installation guide, plastic plate, and connector kits
Certification	CE, FCC, RoHS

Part Names and Functions



Dimensions



Unit: mm (inches)