

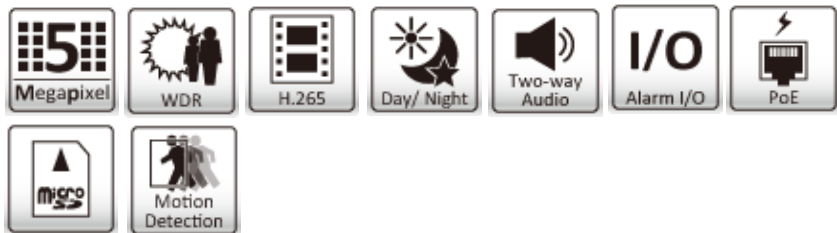
# CHAMP DM5115

## 5MP IR Mini Dome IP Camera

---



- 15fps @ 2560 x 1920
- H.265, 50% lower bitrate
- Smart IR 20m
- Corridor mode
- ROI
- IK08 vandal-proof
- IP66 with optional outdoor kit



The CHAMP DM5115 is an outdoor ready IR Mini Dome Camera, featuring 5MP resolution with video image of 2560 x1920 at 15 fps.

As a true day and night camera, the CHAMP DM5115 has a automatic removable IR-cut filter and 20m Smart IR illuminators, can solve the problem of infrared LEDs whiting out images. Besides, DM5115 has Corridor Format and ROI technology that allow camera to maximize video surveillance in narrow vertical situations and to decrease non-ROI's image quality to save on maximum bandwidth and storage.

Coupled with its small size, 3-axis mounting mechanism, IK08 vandal-proof and IP66 optional outdoor ready kit, DM5115 is designed to be mounted on walls or ceilings, indoor or outdoor.



## Features

- 1/3.2" 5-Megapixel CMOS sensor
- H.265, H.264, and Motion JPEG compression
- 15fps @ 2560 x 1920
- 2.8mm, F2.0 megapixel fixed lens
- True day & night with automatic removable
- IR-cut filter
- Smart IR 20m
- Corridor mode
- ROI(region of interested)
- Two-way audio and built-in microphone
- 1 x alarm input, 1 x alarm output
- RTC with built-in battery
- Screw-less 3-axis angle adjustment for easy
- installation on wall or ceiling
- IK08 vandal-proof
- IP66 weatherproof with optional outdoor kit
- SSL v3 advanced HTTPS encryption
- Full support for Firefox, Safari and Mac OS
- Supports Samba network storage
- Multi-lingual user interface
- ONVIF 2.4 and Profile S compliant
- Free 32-channel NVR software

## WDR



WDR off



WDR on

## Applications



1. Office
2. Public Area

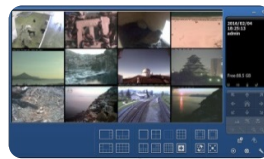
## IP Surveillance Solutions

### • Free 32ch NVR Software

The most professional NVR software you can get for free!

- Support up to 32 channels
- Up to 32 channels remote live view
- Remote playback 4 channels
- Multi-site / multi-server
- Transcoding (record high quality, transcode to different resolution/ frame rate for remote client to save bandwidth)
- iOS/ Android mobile client (multi-channel live view | playback | PTZ & I/O control)
- E-maps (up to 4 layers | unlimited number of maps | video preview)
- Dual monitor
- ePTZ
- Multi-lingual user interface

\*32ch free license for CHAMP cameras, but need to activate license for other brand



### • ONVIF

All IP cameras are ONVIF 2.x & Profile S compliant, and continuously upgraded to comply with the latest versions



## Technical Specifications

Camera	
<b>Model</b>	DM5115 5MP IR Mini Dome IP Camera
<b>Image sensor</b>	1/3.2" 5 MP CMOS sensor
<b>Lens</b>	F2.0, 2.8mm
<b>Angle of view</b>	85° horizontal
<b>Min illumination</b>	0.8 lux @ F2.0 (color) 0.08 lux @ F2.0 (B/W)
<b>Day/Night function</b>	Mechanical IR cut filter
Video	
<b>Video compression</b>	Motion JPEG H.264 baseline/ main profile/ high profile H.265
<b>Resolutions</b>	Motion JPEG/ H.264/ H.265: 6 resolutions including from 2560 x 1920 to 640 x 360
<b>Frame rate</b>	H.264/ H.265: 15 fps at 2560 x 1920, 30fps at 2048 x 1536 MJPEG: 10fps at 2560 x 1536, 15fps at 2048 x 1536 30fps at 1920 x 1080
<b>Video streaming</b>	Simultaneous Motion JPEG, H.264, H.265 Controllable frame rate and bandwidth Support unicast (Real Time Streaming Protocol)
<b>Image settings</b>	Rotation: mirror, flip, mirror flip WDR Brightness, contrast, saturation, sharpness Overlay capabilities: time, date, text and privacy Image ROI

Audio	
<b>Audio streaming</b>	Two-way (full duplex)
<b>Audio compression</b>	G.711 $\mu$ law, a law, AMR, G.726 Built-in microphone, line input and line output

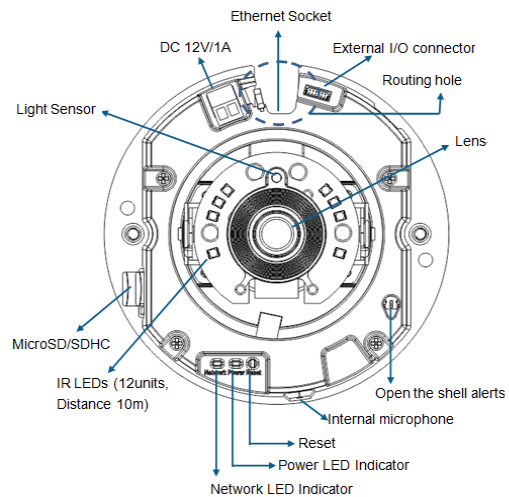
Network	
<b>Security</b>	Multiple user access levels with password protection, HTTPS encryption Bonjour, TCP/ IP, DHCP, DNS, DynDNS, PPPoE, ARP, ICMP, FTP, SMTP, NTP, UPnP, RTSP, RTP, RTCP, HTTP, HTTPS, SSL, TCP, UDP
<b>Users</b>	10 simultaneous users

Alarm and Event Support	
<b>Alarm and event management</b>	Input: network link down, alarm input, motion detection, periodical, audio detection Output: network storage, FTP, SMTP, HTTP event, alarm out, HTTPS server Pre- and post alarm buffer

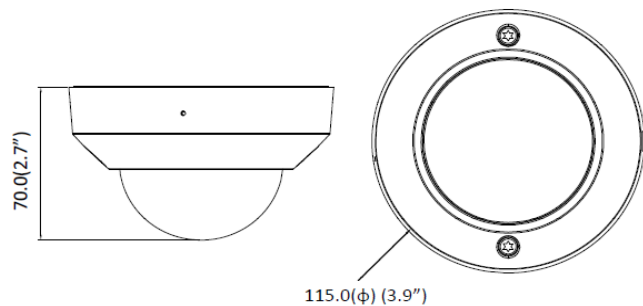
System	
<b>Local storage</b>	RJ-45 Ethernet 10/ 100 Base-T (PoE) Reset button 2pin terminal block for DC power 6pin cable for 1 alarm input, 1 output, 1 audio line in 1 audio line out
<b>Software integration</b>	MicroSD card slot Power status indicator Network link indicator ONVIF 2.4 & Profile S

General	
<b>Casing</b>	Aluminum casing
<b>Power</b>	DC 12V or PoE IEEE 802.3af class 1 Power consumption: Max 6.1W
<b>Operating conditions</b>	Starting temperature: -10 ~ 60 °C ( 14 ~ 140 °F) Working temperature: -30~ 60 °C ( -22 ~ 140 °F)
<b>Installation, management, and maintenance</b>	camera management tool on website and web-based configuration. Configuration of backup and restore firmware upgrades over HTTP
<b>Minimum web browsing requirement</b>	Intel Core i5 CPU @ 2.0GHz (or equivalent AMD) 512MB RAM graphic cards (or equivalent on-board graphic cards) 2GB RAM Windows 7 or later Mac OS Leopard 10.5 or later
<b>Dimensions (HxWxD)</b>	$\phi$ 115 x 70mm (3.9" x 2.7") $\phi$ 115 x 103.7mm (3.9" x4.14.7") junction box is included
<b>Weight</b>	300g (0.66lb) excl. power supply
<b>Included accessories</b>	Quick installation guide, mounting and connector kits Download on website (Camera Installation Tool, Video Management Tool, User Manuals, Camera LanguagePacks)
<b>Certification</b>	CE, FCC, RoHS
Integration software	
	For viewing, recording and archiving up to 32 ch cameras

## Part Names and Functions



## Dimensions



Unit: mm (inches)



B1, No.207-1, Sec. 3, Beixin Rd., Xindian Dist., New Taipei City 231, Taiwan | [www.champsolution.com](http://www.champsolution.com)

Tel : +886-2-7739-2260 | Fax : +886-2-7703-3377 | Mail : [inquiry@champsolution.com](mailto:inquiry@champsolution.com)