



## Quick Installation Guide

---

# 2M IR Mini Dome Quick Installation Guide

Please follow the installation steps below to set up 2M IR Mini Dome IP Camera.

Check the package contents against the list below. **See P.1**

Physical overview. **See P.2**

I/O Terminal Block Circuit. **See P.3**

I/O Terminal Block Pin Definition. **See P.3**

LED Indicator Definition. **See P.4**

Power mode. **See P.4**

Install the hardware and connect all cables. **See P.4**

Microsoft OS: Use the software CD to install Intelligent IP Installer. **See P.7**

Access the IP Camera using Intelligent IP Installer. **See P.8**

Mac OS using Safari Browser. **See P.10**

Change light environment setting. **See P.11**

Change the Web Interface into your preferred language. **See P.11**

Application of IP Camera. **See P.12**

## Package Contents

<b>Camera</b>	IR Dome IP Camera
<b>Quick Installation Guide</b>	Brief product information and quick installation
<b>Accessory</b>	6 pin terminal cable for DI/DO and audio Screw pack for wall and ceiling mounting ( 2 screws, 2 plastic wall anchors ) Alignment sticker L-type Hex Key Wrench 2pin I/O terminal block Focus Adjustment Plastic plate for wall and ceiling mounting

## Software

The following software and information are available online:

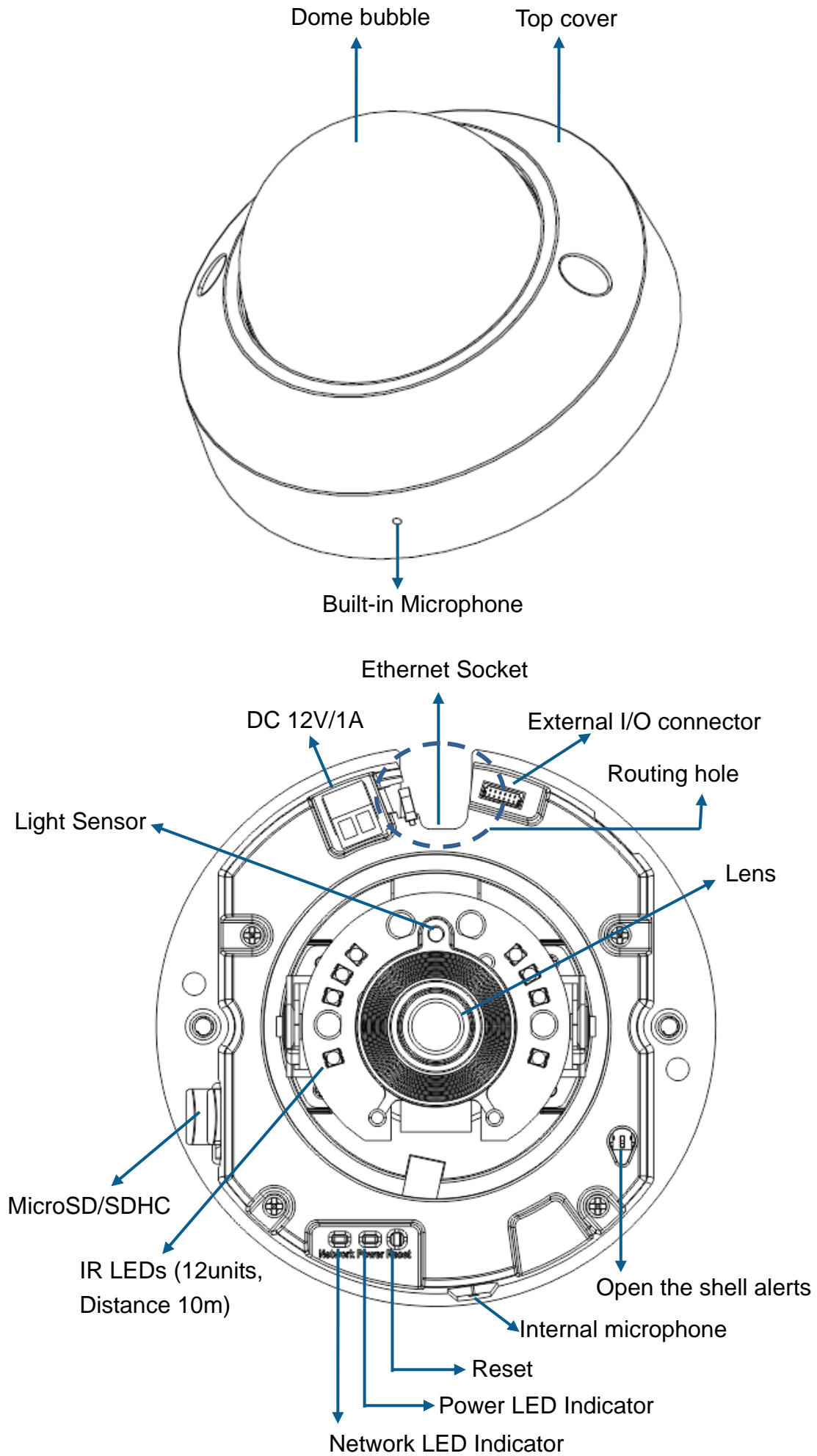
-Camera Bundle Software

-Camera Installation Tool

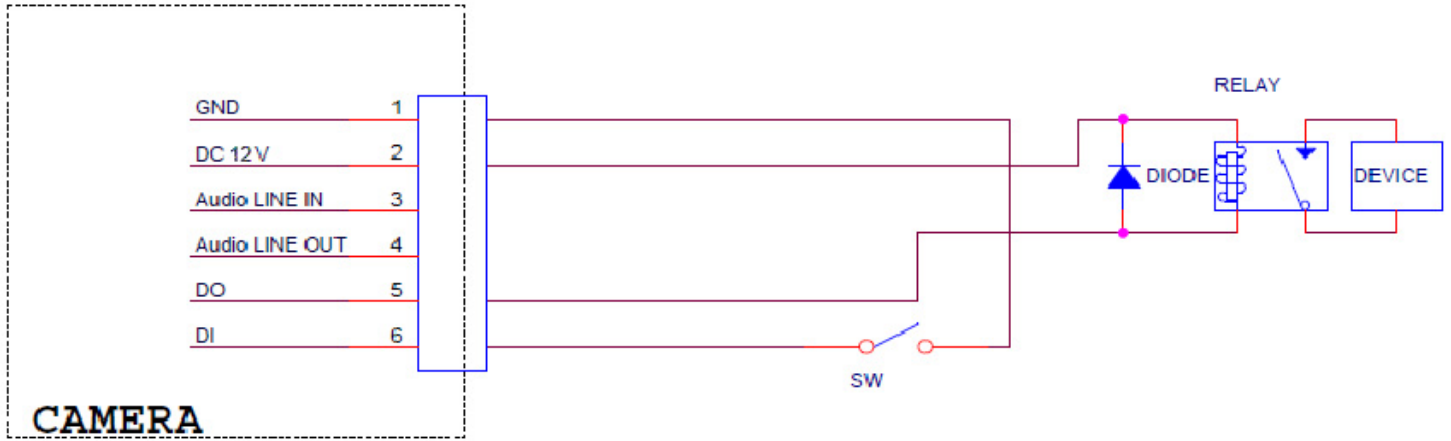
-User manuals

Please go download from <http://www.champsolution.com/DownloadMainpage.php>

## Physical overview



## I/O Terminal Block Circuit

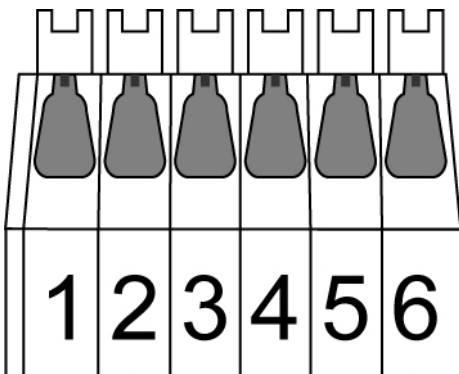


## I/O Terminal Block Pin Definition

This Camera provides an external I/O terminal block which is used to connect input/ output devices.

The pin definitions are described below.

PIN	Definition	Description	Max. V/A
1	Ground		-
2	+ 12V DC		12V DC 1.2W
3	Audio Input	Connect the wires of the audio input device to <b>GND</b> (Pin 1) and <b>AUDIO.IN</b> (Pin 3).	-
4	Audio Output	Connect the wires of the audio output device to <b>GND</b> (Pin 1) and <b>AUDIO.OUT</b> (Pin 4).	-
5	Digital Output 1	Uses an NPN transistor with the emitter connected to the GND pin. If used with an external relay, a diode must be connected in parallel with the load for protection against voltage transients.	100 mA 24V
6	Digital Input 1	Connected to GND to activate, or leave floating (or unconnected) to deactivate.	30V DC



## LED Indicator Definition

LED	Color	Indication
Network	Blue	Flash blue while Network activity.
Power	Red	Steady red for booting up process
	Blue	Steady blue for booting up completion
	Purple	Flash purple during firmware upgrading; when reset button pressed for at least 5 sec. to factory default
	Unlit	When you press reset button; or Power off

**Reset:** When the device is empowered, press the Reset Button to reboot the device, or hold the Reset Button for 10 seconds to the settings back to factory default.

**Reset process:** Press reset button until indicator Unlit → steady red (booting up process) → steady blue (booting up completion)

**Reset to default process:** Press until indicator steady blue → steady red (booting up process) → steady blue (booting up completion)

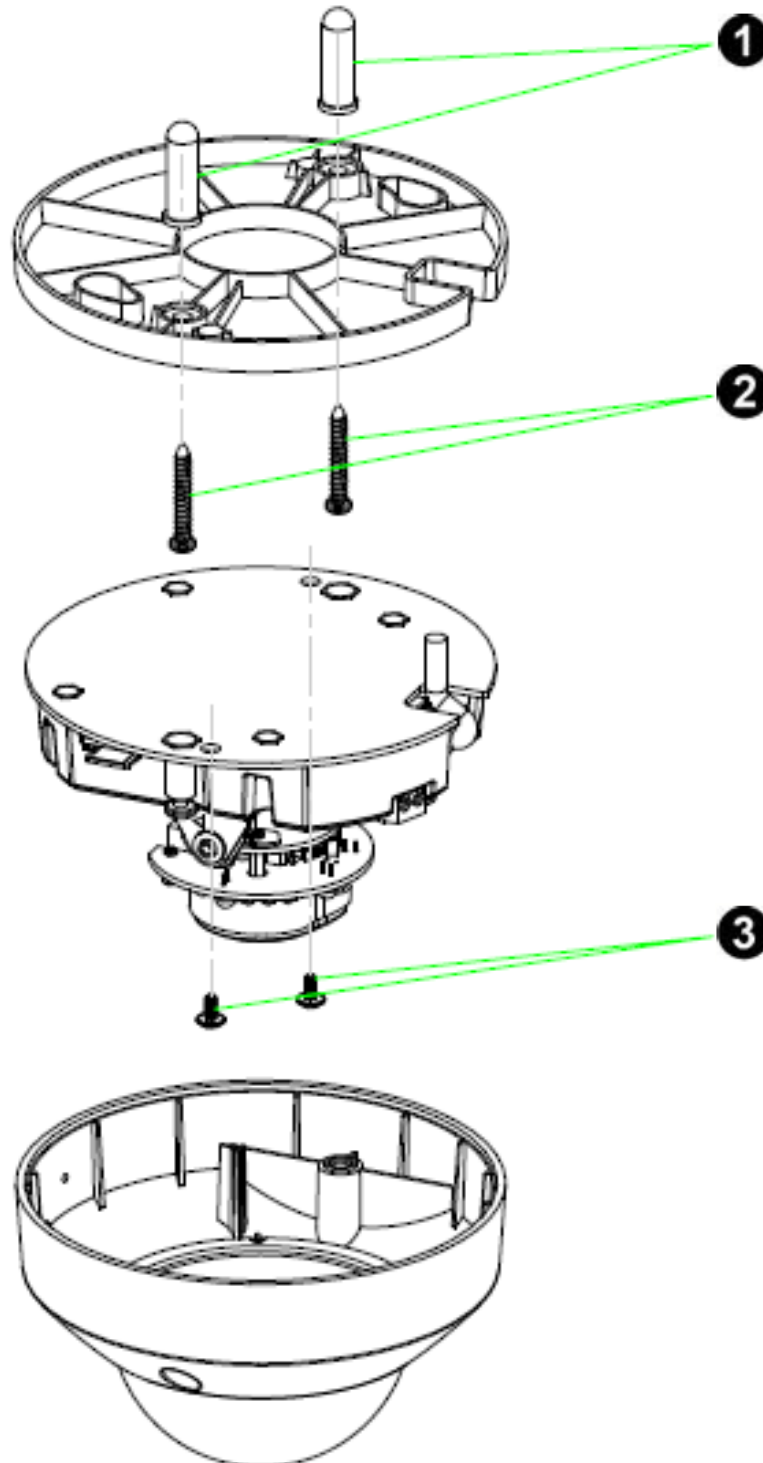
## Power Mode

PoE Mode	Power Requirement	PoE (IEEE802.3af) with Class 3
	Power Consumption	4.19W
Adaptor Mode	Power Requirement	12V/1A Adaptor
	Power Consumption	4.24W

## Install the hardware and connect all cables

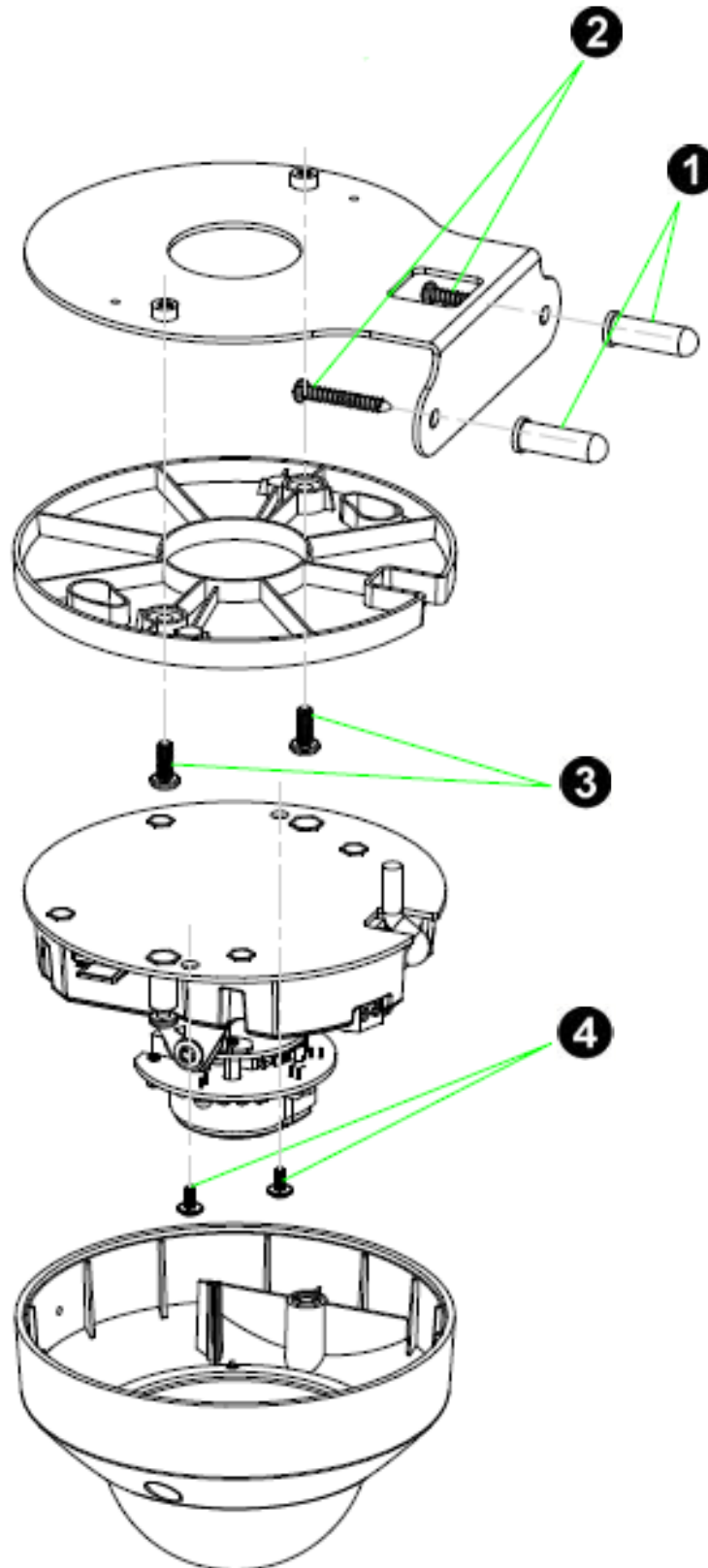
### A. Hardware Installation

- a. Loosen the tamper-proof screws using supplied L-type Hex Key Wrench
- b. Remove the dome cover. Be careful do not scratch the cover glass.
- c. If you want to route cable from the side of camera instead of routing hole, please see below figure.
  1. Attached the alignment sticker to the wall/ceiling. Drill three holes into the wall, which two for screws and one for cable (if you want to route cables through routing hole).
  2. Align the two holes on the base of plastic plate with the two plastic anchors on the wall or ceiling, insert the supplied screws to the corresponding hole and fix them.
  3. Secure the camera to the plastic plate with screws(M2.5x6 \* 2pcs)
  4. Adjust the angle of camera to aim the shooting area.



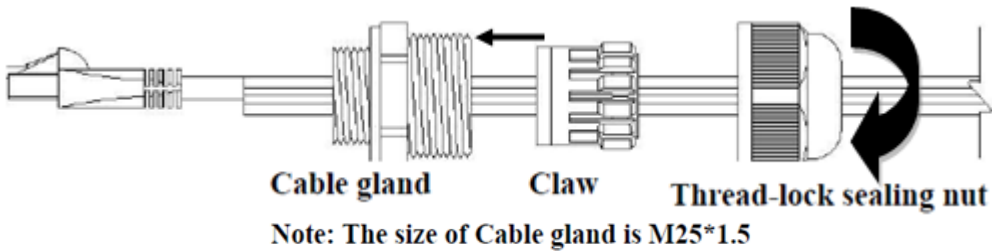
## B. Wall mount L-type Bracket installation(optional)

1. Position the L-type at the desired installation location. Drill two holes into the placement and hammer the included screw anchors.
2. Align the two holes on the L-type bracket to the two plastic anchors on the wall or ceiling, insert the supplied screws to the corresponding hole and fix them.
3. Secure the plastic plate to the L-type bracket with screws(M4x10 \* 2pcs)
4. Secure the camera to the plastic plate with screws(M2.5x6 \* 2pcs)
5. Adjust the angle of camera to aim the shooting area.

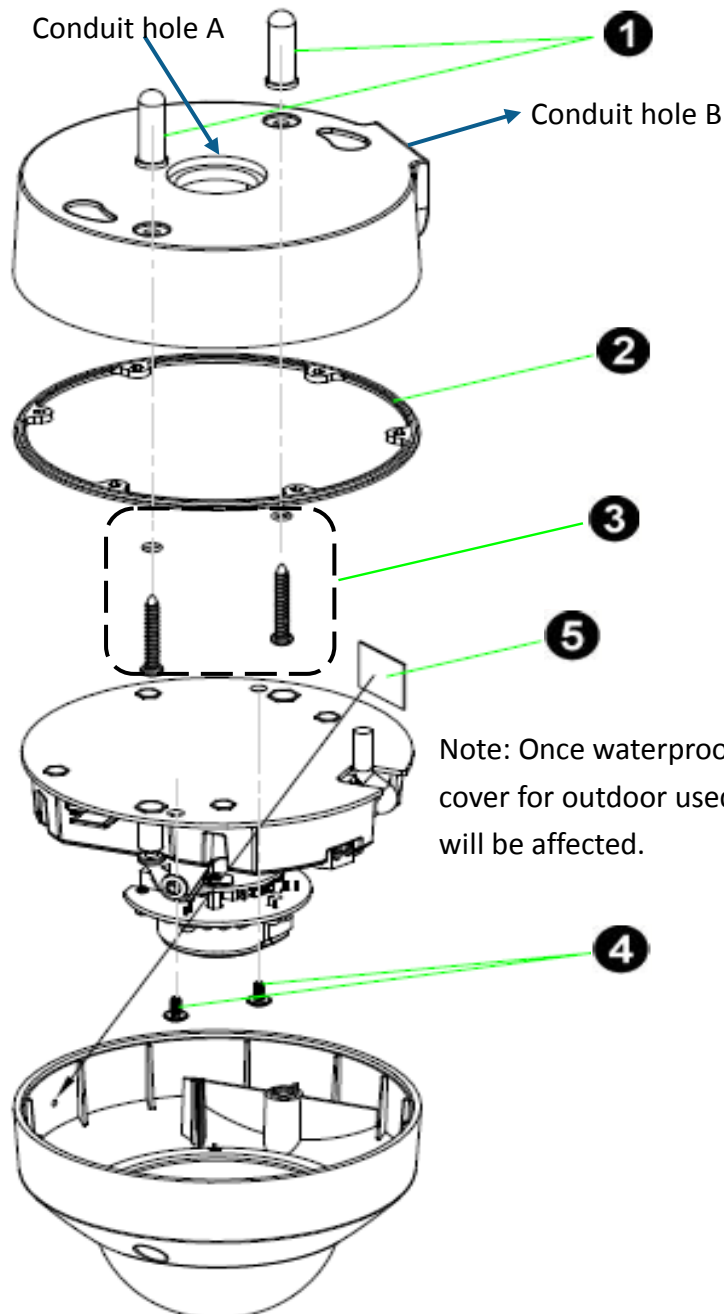


### C. Outdoor wall mount kit installation(optional)

1. Position the outdoor kit at the desired installation location. Drill two holes into the placement and hammer the included screw anchors.
2. Assemble silicone rubber and outdoor kit together.
3. Combine O-ring and supplied screws together, then insert to the corresponding hole and fix them.
4. Feed the cables through conduit hole A or B. If you want to use hole A, remove the plug with a screwdriver. Thread the network and I/O cable through thread-lock sealing nut, claw (using the claw to round all cable) and cable gland. To seal all cable in the claw part tightly in case of water leaking. Attach the cable gland to the conduit hole. Push the claw into the cable gland and tighten thread-lock sealing nut to secure the cables. Then, secure the camera to the outdoor kit with screws (M2.5x6 \* 2pcs)



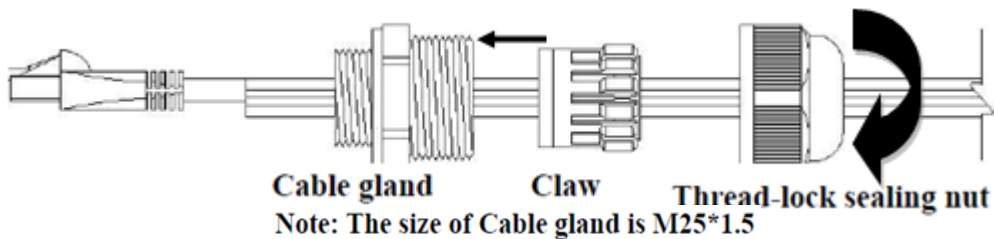
5. Paste the waterproof-tape at microphone hole on the top cover.
6. Adjust the angle of camera to aim the shooting area.



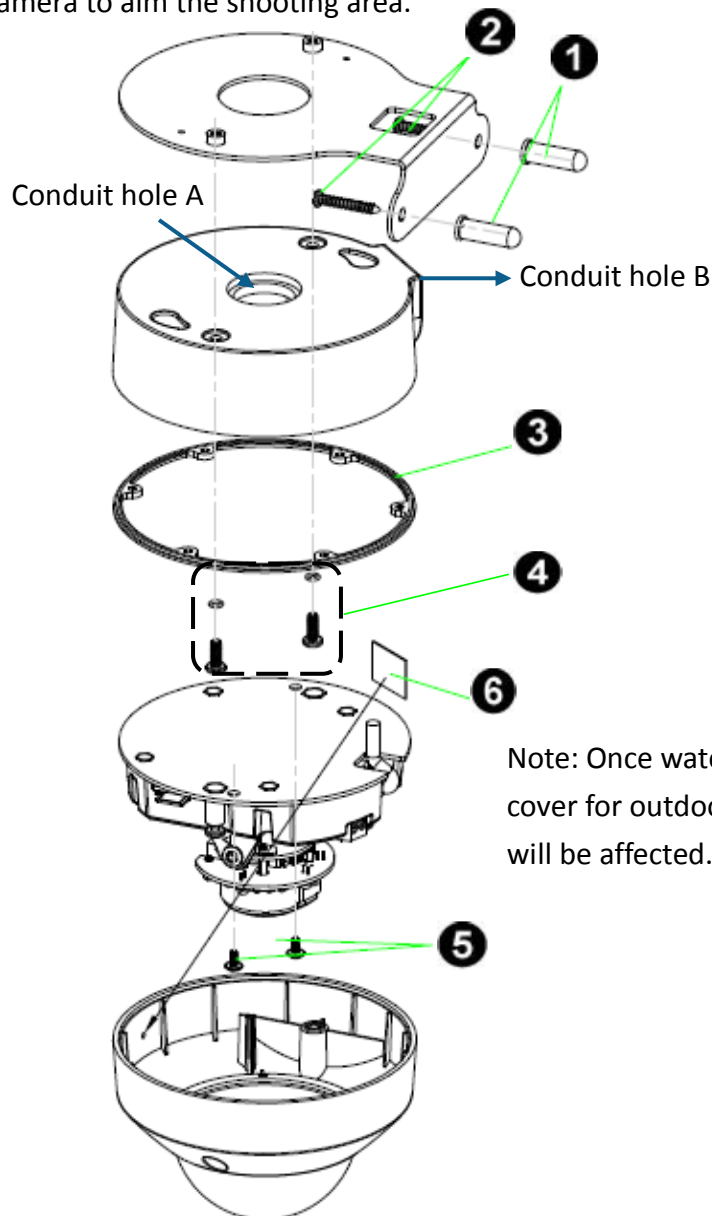


#### D. Outdoor Wall mount kit and L-type Bracket installation(optional)

1. Position the L-type at the desired installation location. Drill two holes into the placement and hammer the included screw anchors.
2. Align the two holes on the L-type bracket to the two plastic anchors on the wall or ceiling, insert the supplied screws to the corresponding hole and fix them.
3. Assemble silicone rubber and outdoor kit together.
4. Combine O-ring and supplied screws(M4x10) together, secure the outdoor kit to the L-type bracket with combination screws.
5. Feed the cables through conduit hole A or B. If you want to use hole A, remove the plug with a screwdriver. Thread the network and I/O cable through thread-lock sealing nut, claw (using the claw to round all cable) and cable gland. To seal all cable in the claw part tightly in case of water leaking. Attach the cable gland to the conduit hole. Push the claw into the cable gland and tighten thread-lock sealing nut to secure the cables. Then, secure the camera to the outdoor kit with screws (M2.5x6 \* 2pcs)

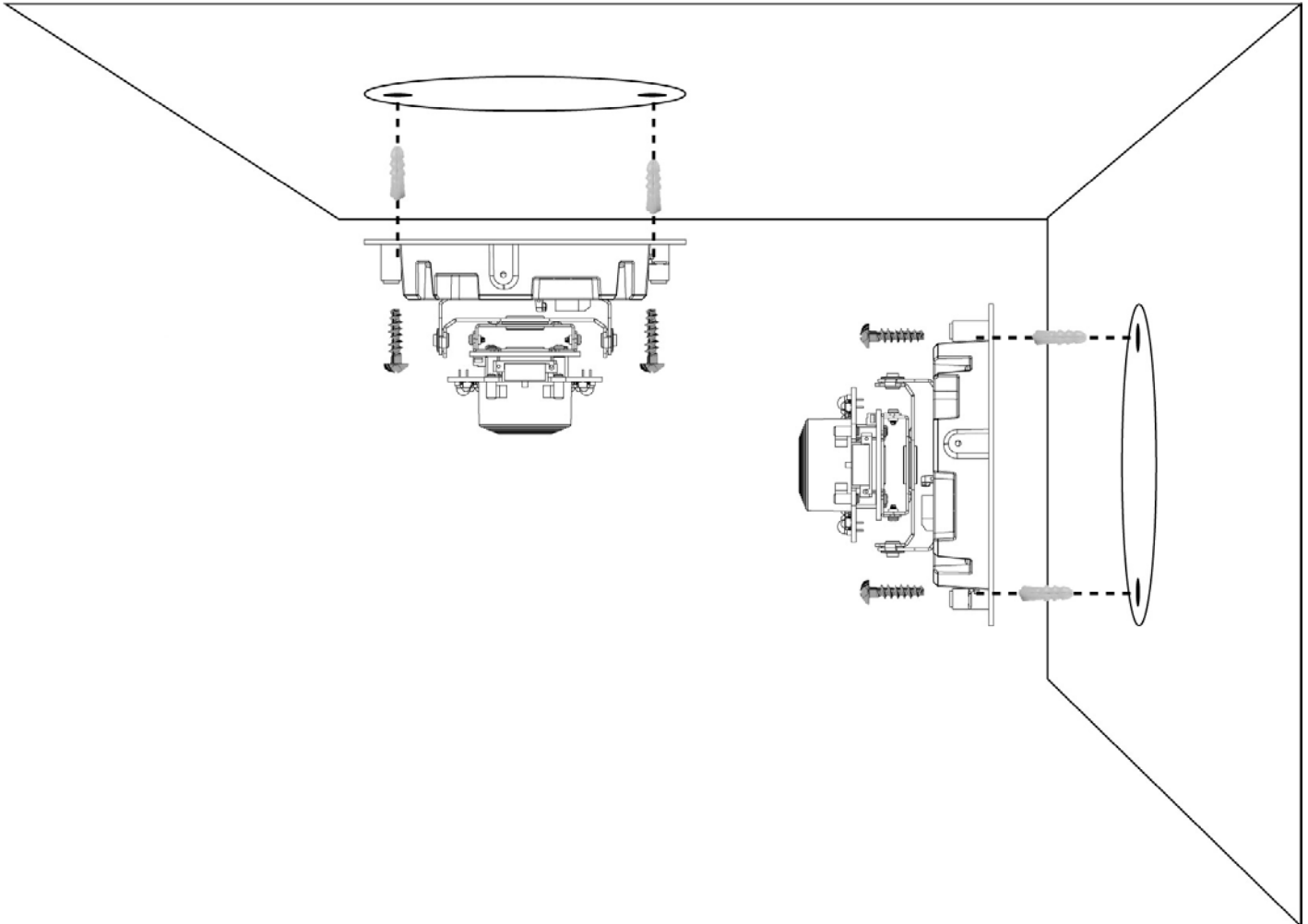


6. Paste the waterproof-tape at microphone hole on the top cover.
7. Adjust the angle of camera to aim the shooting area.



## E. Wall mounting and Ceiling mounting

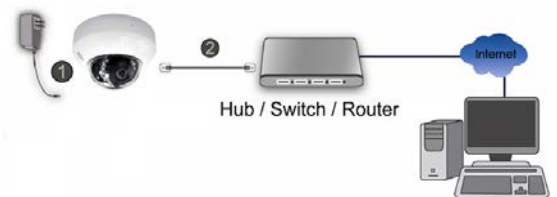
1. Attached the alignment sticker to the wall/ceiling. Drill three holes into the wall, which two for screws and one for cable.
2. Hammer the supplied plastic anchors into the holes.
3. Align the two holes on the base of camera with the two plastic anchors on the wall or ceiling, insert the supplied screws to the corresponding hole and screw them.
4. Adjust the angle of camera to aim the shooting area.



## F. Wall mounting and Ceiling mounting

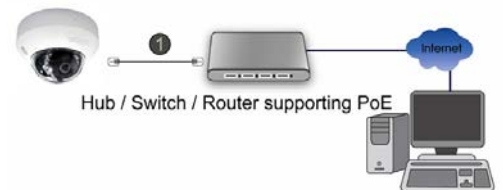
### f1. Without Power over Ethernet (PoE) connection

1. Connect the power adaptor to the IP Camera.
2. Connect the IP Camera to a normal Hub / Switch / Router.



### f2. Power over Ethernet (PoE)

1. Connect the IP Camera to a PoE-enabled Hub / Switch / Router.

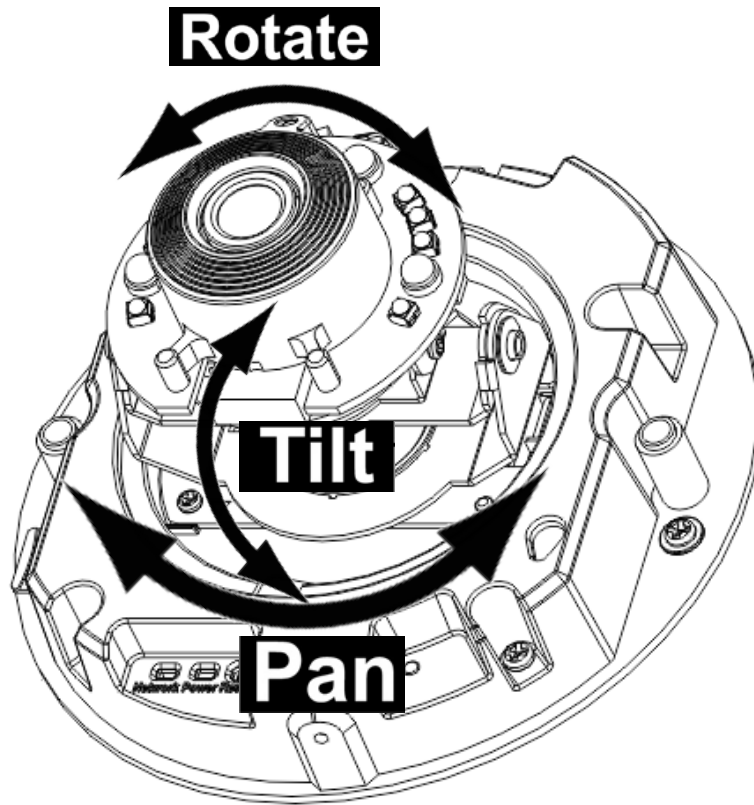


Note:

If using a non-PoE switch, please use a PoE power injector to connect the camera.

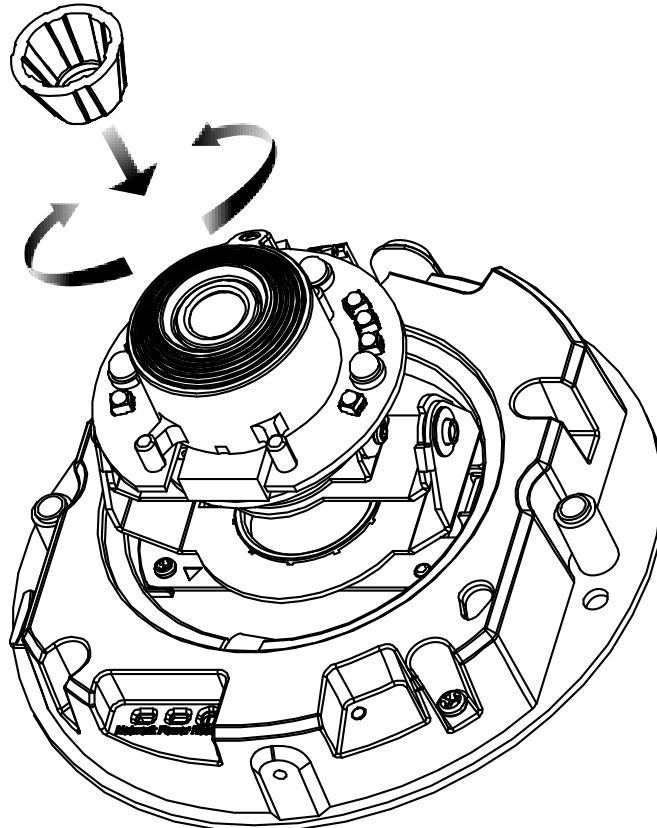
### G. To adjust the view angle- 3 axis Mechanism Design

1. Turn the lens module right and left to your desired pan position.
2. Turn the lens module up and down to your desire tile position.
3. Turn the lens module to adjust the image orientation to satisfied angle.



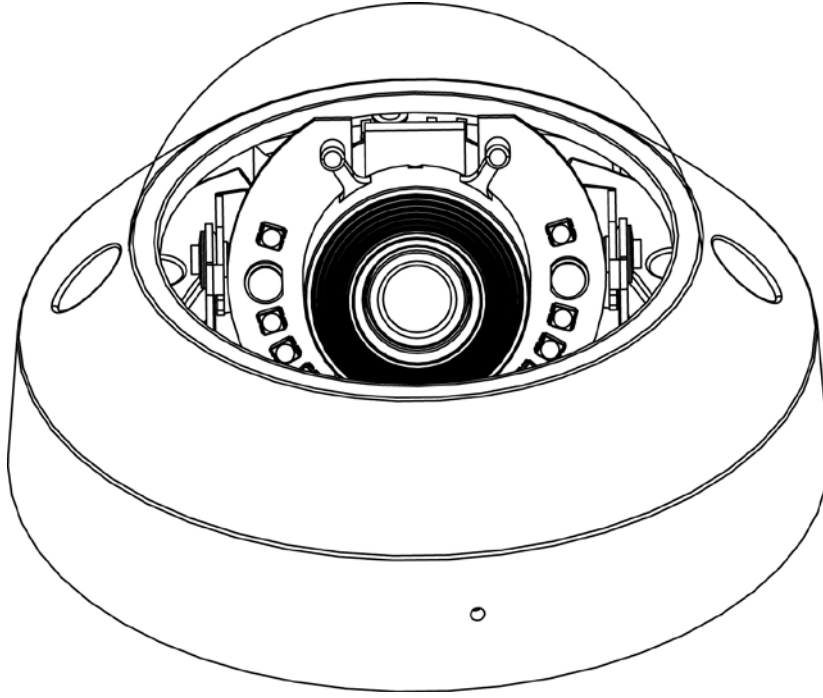
### H. Focus adjustment tool instruction

To adjust lens focus, place the included focus adjustment tool on the lens, and use it to turn lens clockwise or counter-clockwise until you get optimal focus.



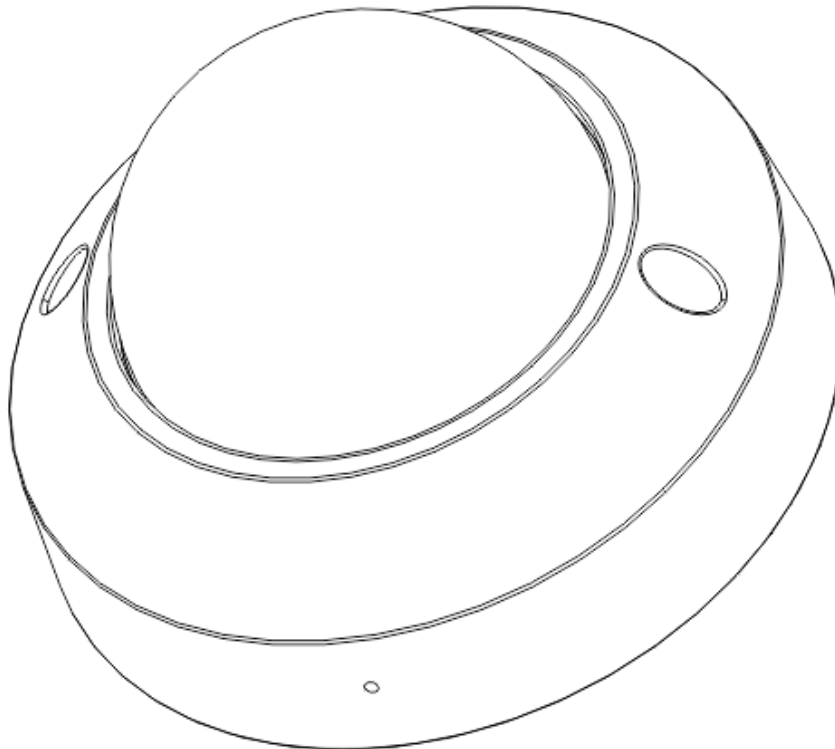
**Important:**

**Do not rotate the IR LEDs so that it gets blocked by the housing as it will affect the IR performance (as shown below). If the image is upside down, please use the image rotate function in Video Setting.**



**I. Completion**

1. Clean the dome bubble to remove the dust and finger print.
2. Fix the tamper-proof screws using supplied special hex. Be careful do not scratch the cover glass.
3. The installation is complete now.



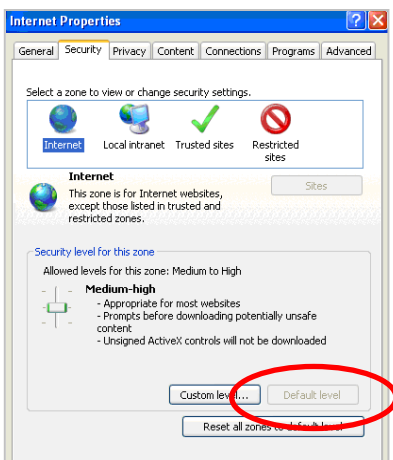
# Microsoft OS: Go Website download Camera Installation Tool

Please go <http://www.champsolution.com/DownloadMainpage.php> download “Camera Installation Tool”. And follow the installation process to complete the installation.

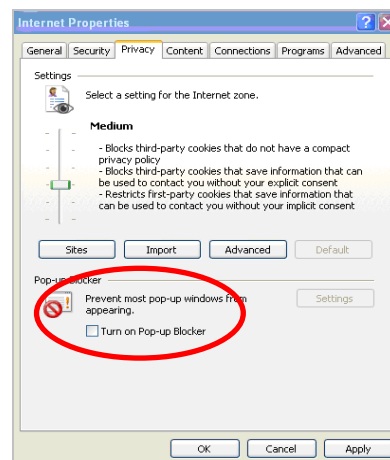
## Access the IP Camera using Intelligent IP Installer

1. Please check two settings before using Intelligent IP Installer .

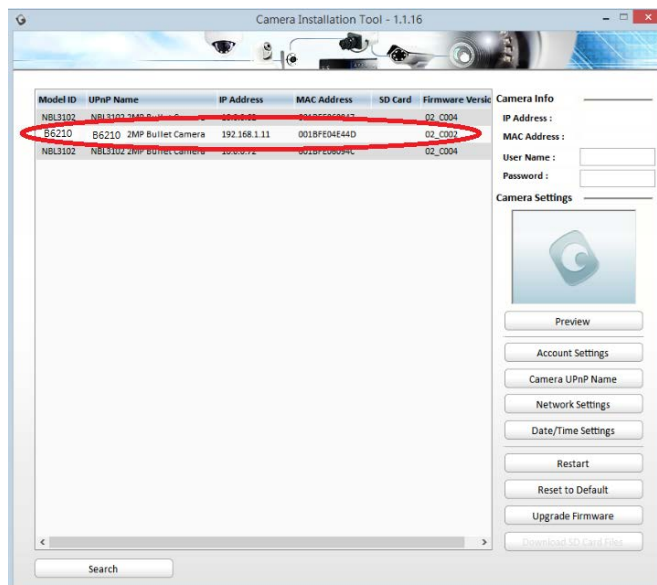
a. Browser’s Internet Properties → Security  
→ **Default Level**



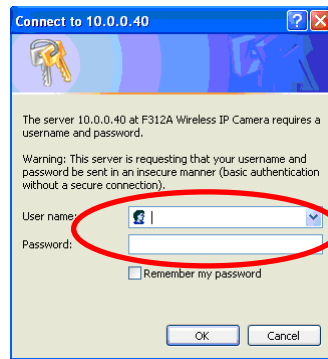
b. Browser’s Internet Properties → Privacy  
→ **Uncheck Pop-up Blocker**



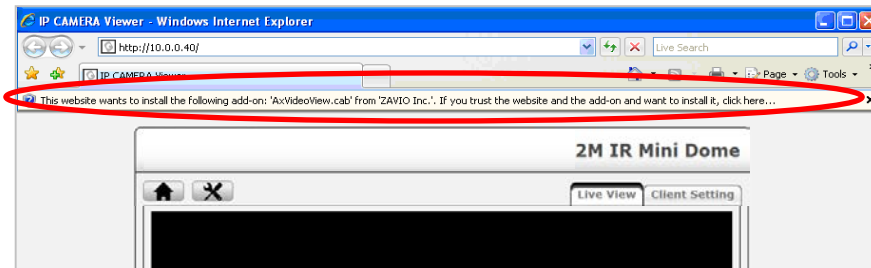
2. Click the Intelligent IP Installer Icon on your desktop. The main page will show up listing all active camera and video server devices. Select the relevant IP camera from the list and click **Link to IE**.



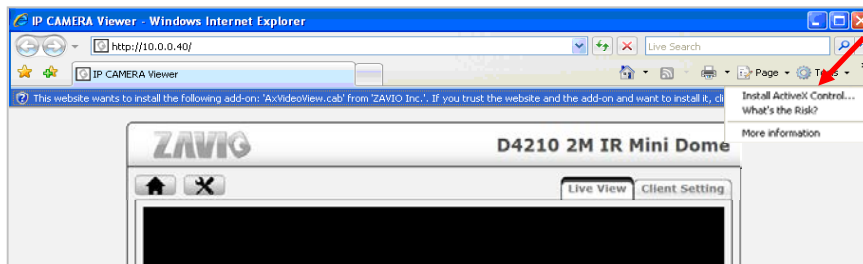
3. Enter your Username and Password to login to the IP Camera.  
(Default is admin / admin)



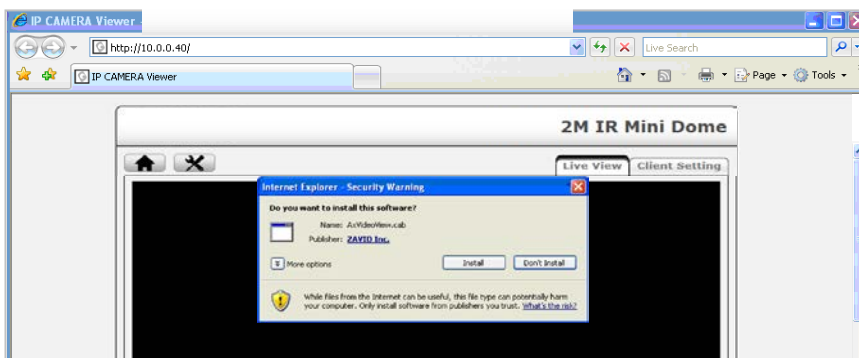
4. When accessing the IP Camera for the first time, a yellow information bar appears below the address bar: his website wants to install the following add-on: 'AxvideoView.cab'.



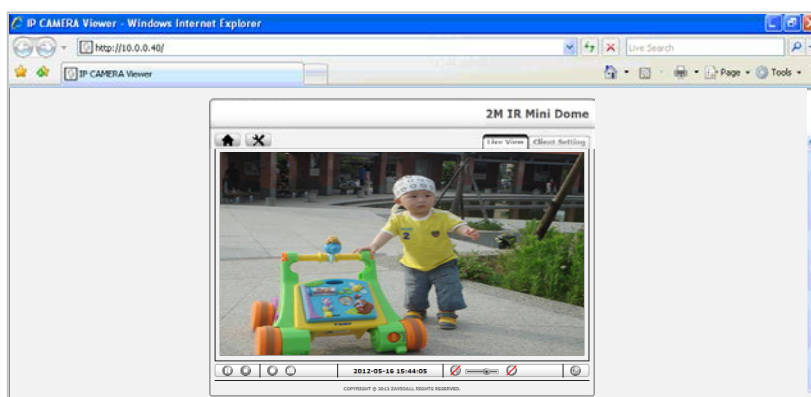
5. Click the information bar, and select **Install ActiveX control**.



6. Click **Install**.

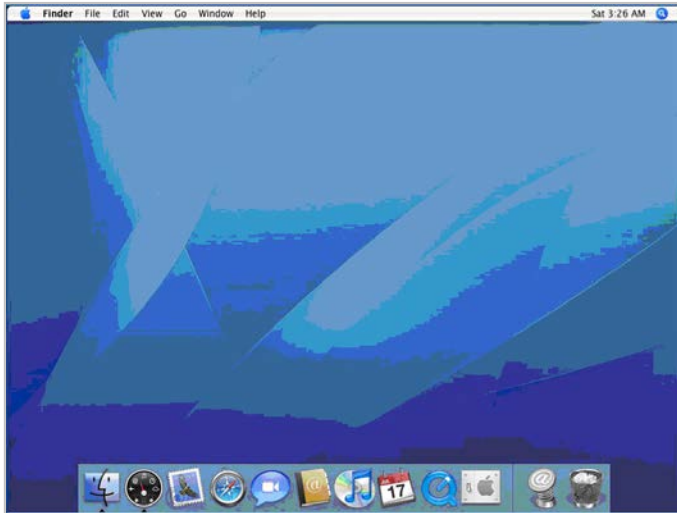


7. Live video displays in the centre of your web browser.

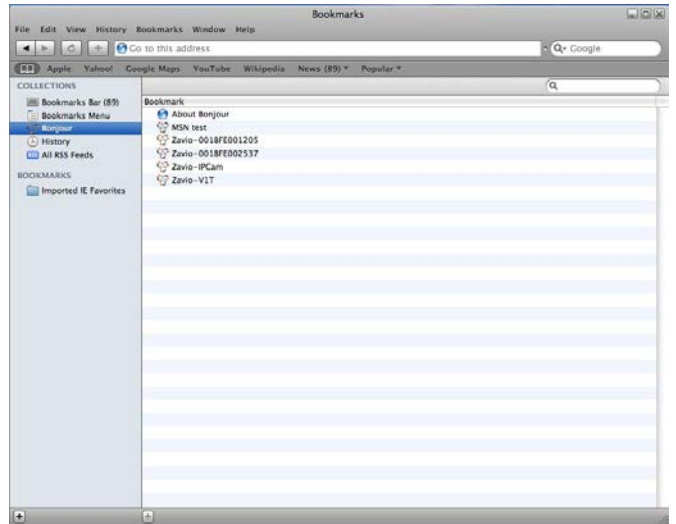


## Mac OS using Safari Browser

1. Select **Safari icon**



2. Click **Bonjour function** and select the camera you wish to access.



3. Enter name and password to login to the IP camera. (**Default is admin / admin**)



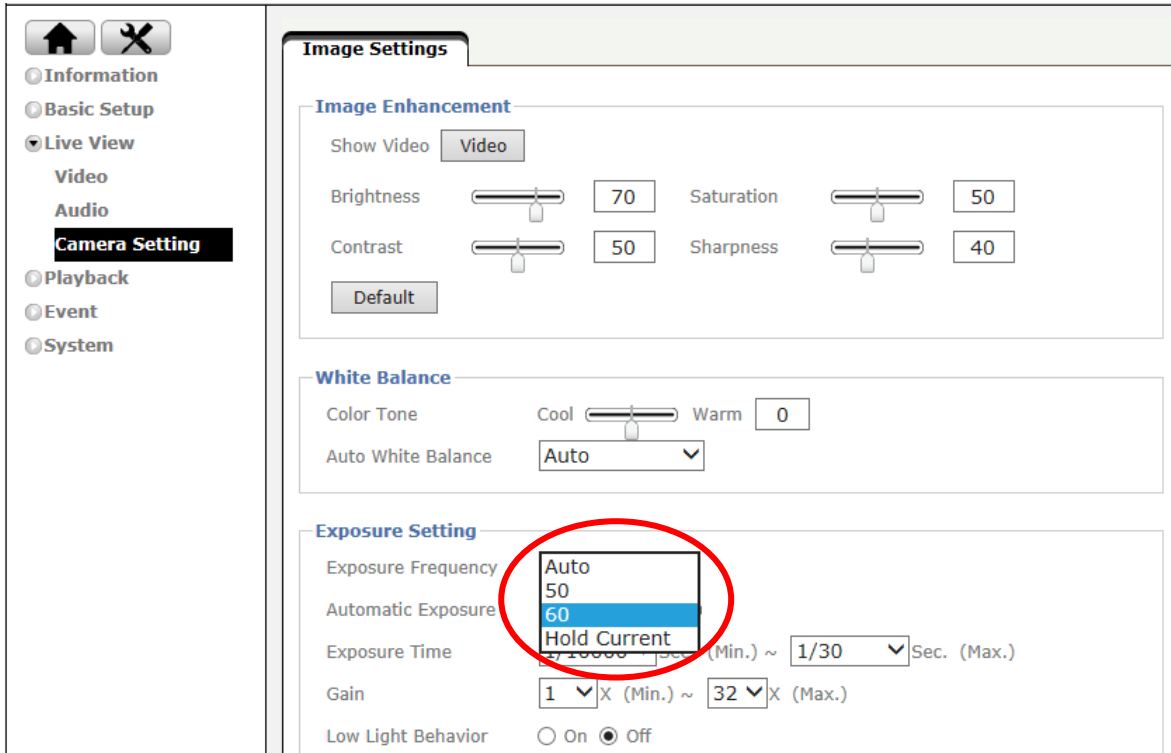
4. The monitor image will be displayed in your browser.



## Lighting environment setting

The default setting of lighting environment is **Auto**. However, you may also select 50 or 60 Hz upon the lighting environment of your country.

Go to “Setting > Live View > Camera Setting > Image Setting”, select the environment setting you wish.



## Change the Web Interface into your preferred language

Use the settings screen to set the language of the Web Interface.

Go to “Setting > System > Maintenance ”.

1. Go website <http://www.champsolution.com/DownloadMainpage.php> download language pack.
2. Browse and select the preferred language and then click OK.
3. The web interface will change into your preferred language.



# Application of IP Camera

